

CHILLY PEPPER'S

SNOWBALLS AND SKIIS

Supplies-

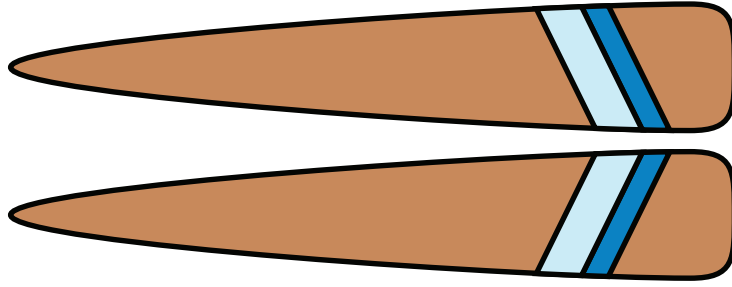
Printer
Thick Paper (Cardstock or Matte)
Scissors or Cutting tool
Glue or Tape

If under the age of 18, parental guidance is advised when using scissors or dangerous materials

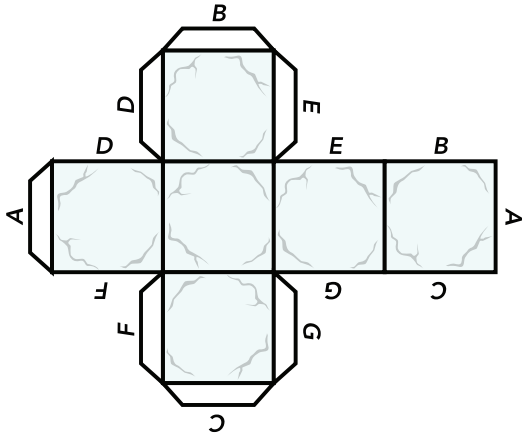
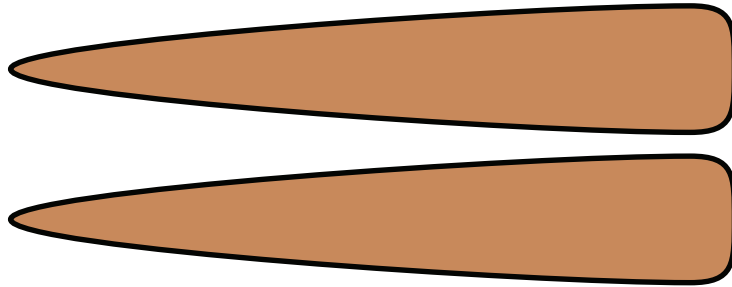
Instructions-

1. Cut out each piece along outer edges of all the individual pieces
2. Fold each piece along the dashed lines, making sure to fold straight
3. After all pieces are cut out and folded, glue or tape together the flaps to the matching area (A to A, B to B, etc.).
4. Accessorize your very own Chilly Pepper Whiffer Sniffer character!

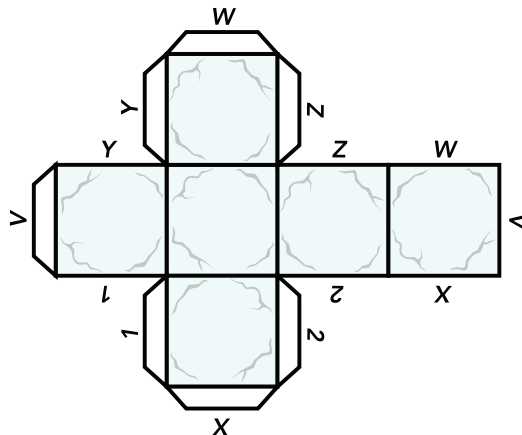
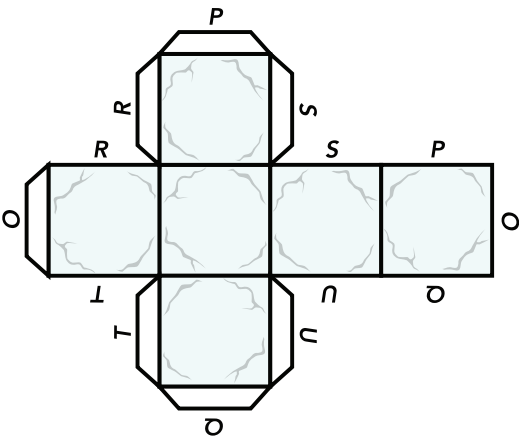
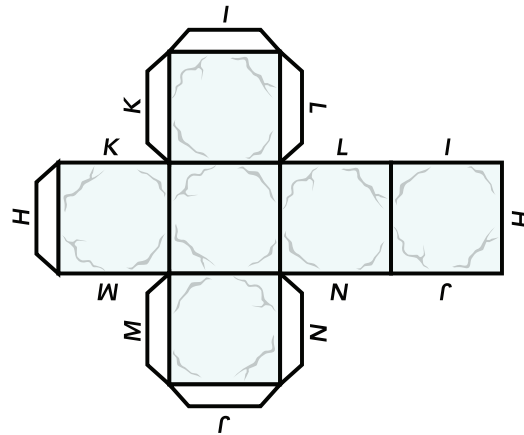
Tops



Bottoms



Snowballs



Skiis

Glue bottom parts of skiis to the bottom of the top parts of the skiis.
Optional: After glued together completely you can bend the front of the skiis up to make them more realistic!